

## External Drive Piezo Transducer

### SGBD-216PZ46320

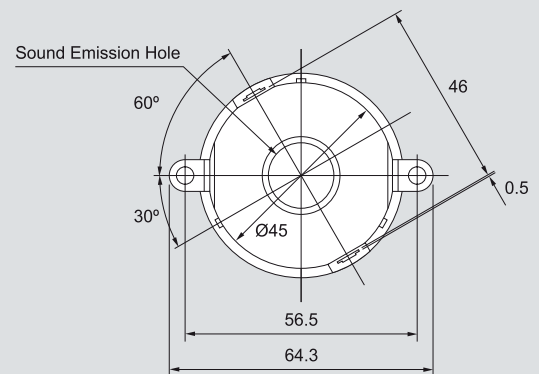


### Electrical Specifications

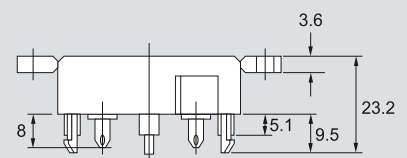
Model	216PZ46320	
Min. Sound Output (dBA)	100 min. (12V rms / Sine Wave / 30cm / 3200Hz)	
Capacitance (pF)	25000 ± 30% at 120Hz	
Max. Input Voltage (rms)	40	
Operating Temperature (°C)	-40 ~ +105	
Weight (g)	11	

### Dimensions

#### Top View



#### Side View



all dimensions are in mm

### Frequency Response

