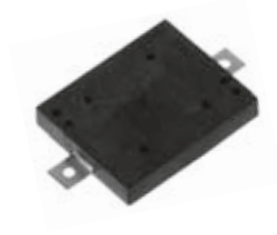


External Drive Piezo Transducer

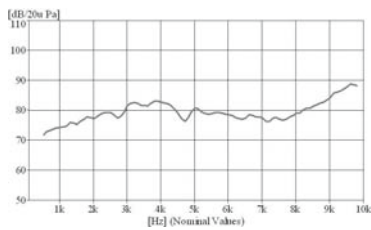
SGBD-209PZ11410



Electrical Specifications

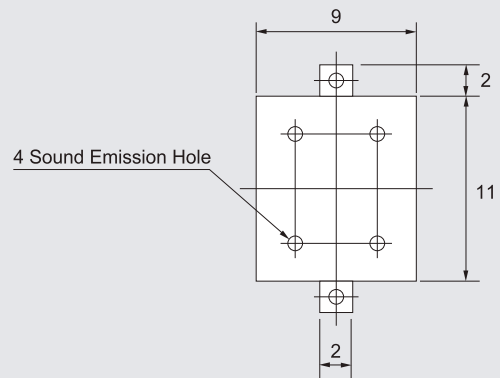
Model	209PZ11410	
Min. Sound Output	(dBA)	75 min. (5V p-p / Square Wave / 10cm / 4100Hz)
Capacitance	(pF)	12000 ± 30% at 120Hz
Max. Input Voltage	(V p-p)	25
Operating Temperature	(°C)	-40 ~ +85
Weight	(g)	0,25

Frequency Response



Dimensions

Top View



Side View



all dimensions are in mm