

**External Drive
Piezo Transducer**

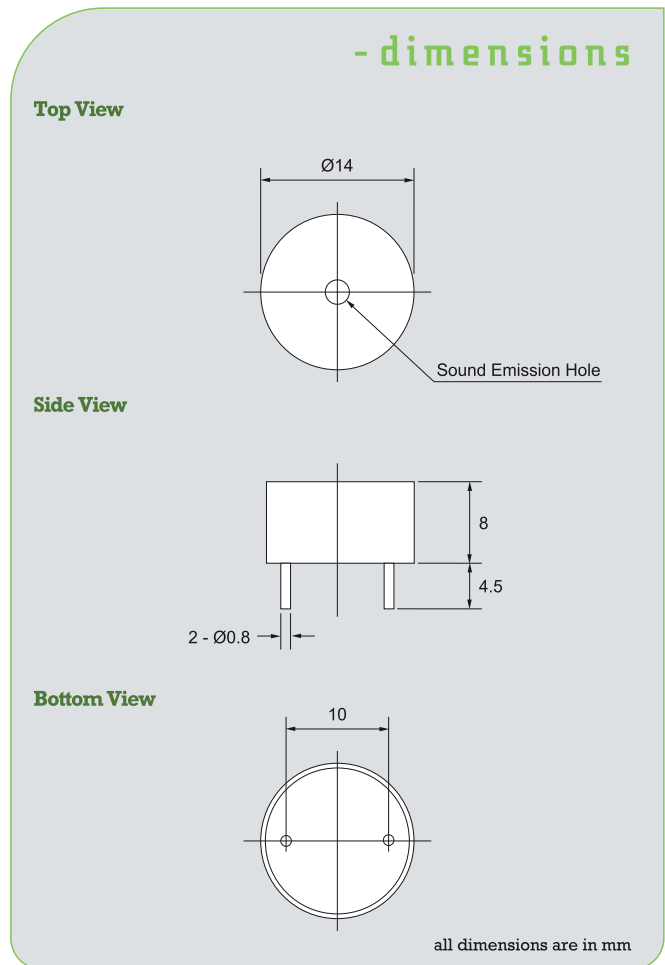
SGBD-206PZ14400



Electrical Specifications

Model	206PZ14400	
Min. Sound Output (dBA)	85 min. (10V p-p / Square Wave / 10cm / 4000Hz)	
	75 min. (10V p-p / Square Wave / 10cm / 3600Hz)	
Capacitance (pF)	13000 ± 30% at 120Hz	
Max. Input Voltage (V p-p)	30	
Operating Temperature (°C)	-20 ~ +70	
Weight (g)	2	

Dimensions



Frequency Response

