

## External Drive Piezo Transducer

### SGBD-185PZ10320

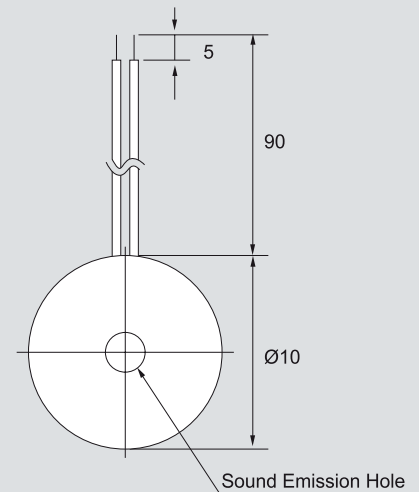


#### Electrical Specifications

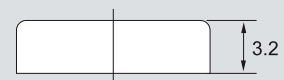
Model		185PZ10320
Min. Sound Output	(dBA)	80 min. (10V p-p / Square Wave / 10cm / 3200Hz)
Capacitance	(pF)	11000 ± 30% at 120Hz
Max. Input Voltage	(V p-p)	30
Operating Temperature	(°C)	-20 ~ +70
Weight	(g)	1

#### Dimensions

##### Top View



##### Side View



all dimensions are in mm

#### Frequency Response

