

**External Drive  
Piezo Transducer**

**SGBD-177PZ13480**

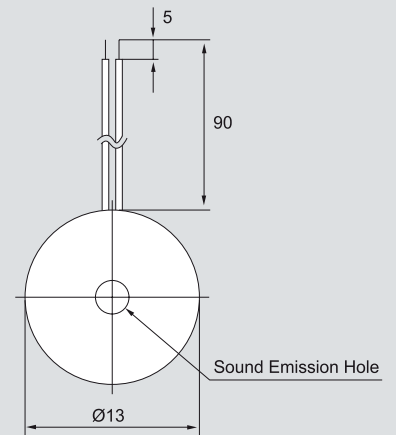


**Electrical Specifications**

Model	177PZ13480	
Min. Sound Output (dBA)	80 min. (10V p-p / Square Wave / 10cm / 4800Hz)	
Capacitance (pF)	18000 ± 30% at 120Hz	
Max. Input Voltage (V p-p)	30	
Operating Temperature (°C)	-20 ~ +70	
Weight (g)	1	

**Dimensions**

**Top View**



**Side View**



all dimensions are in mm

**Frequency Response**

