

External Drive Piezo Transducer

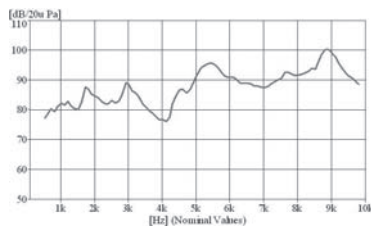
SGBD-144PZ29300



Electrical Specifications

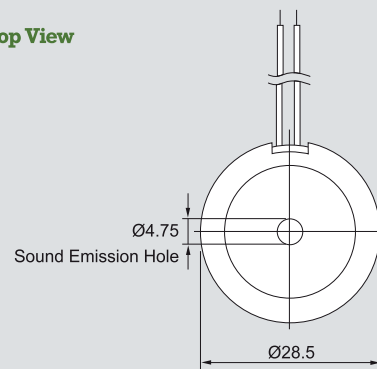
Model	144PZ29300	
Min. Sound Output	(dBA)	80 min. (9V p-p / Square Wave / 10cm / 3000Hz)
Capacitance	(pF)	24000 ± 30% at 1000Hz
Max. Input Voltage	(V p-p)	40
Operating Temperature	(°C)	-20 ~ +60
Weight	(g)	2.4

Frequency Response

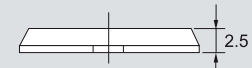


Dimensions

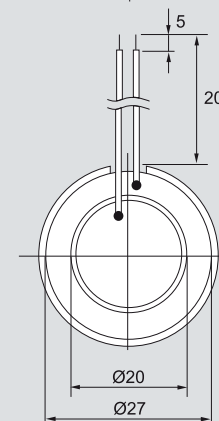
Top View



Side View



Bottom View



all dimensions are in mm