

**External Drive  
Piezo Transducer**

**SGBD-123PZ24550**

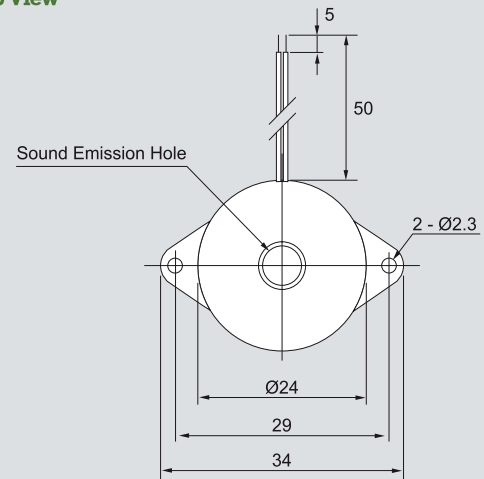


**Electrical Specifications**

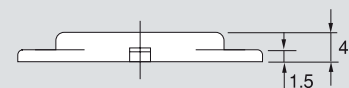
Model		123PZ24550
Min. Sound Output	(dBA)	90 min. (15V p-p / Square Wave / 10cm / 5500Hz)
Capacitance	(pF)	18000 ± 30% at 120Hz
Max. Input Voltage	(V p-p)	30
Operating Temperature	(°C)	-20 ~ +60
Weight	(g)	1.9

**Dimensions**

**Top View**



**Side View**



all dimensions are in mm

**Frequency Response**

