

**External Drive  
Piezo Transducer**

**SGBD-120PZ17280**

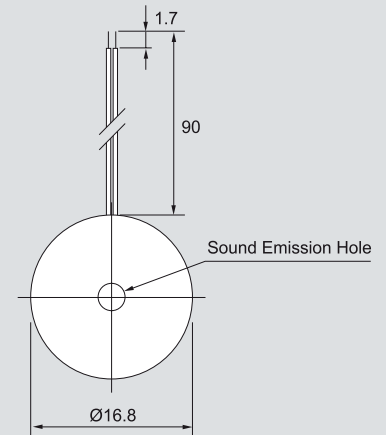


**Electrical Specifications**

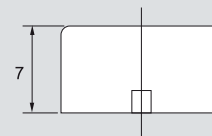
Model	120PZ17280	
Min. Sound Output	(dBA)	80 min. (3V rms / Sine Wave / 10cm / 2800Hz)
Capacitance	(pF)	23000 ± 30% at 1000Hz
Max. Input Voltage	(V p-p)	30
Operating Temperature	(°C)	-20 ~ +70
Weight	(g)	1

**Dimensions**

**Top View**



**Side View**



all dimensions are in mm

**Frequency Response**

