

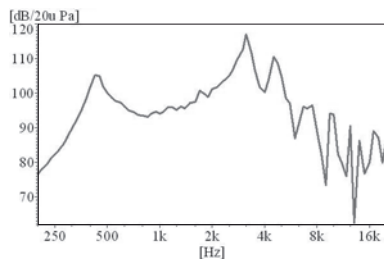
Speaker

SGBD-L66IA038008



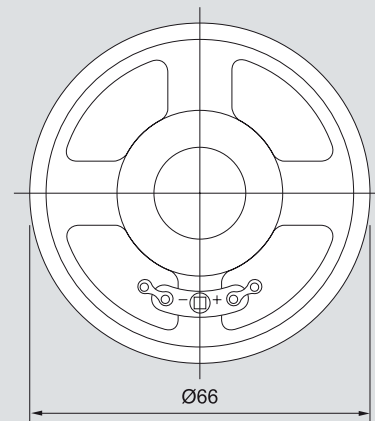
Electrical Specifications

Model		L66IA038008
Rated Power	(W)	0.5
Max Power	(W)	0.8
Impedance $\pm 15\%$ at 1KHz	(Ω)	8
Sound Output	(dB)	95 \pm 3
R. Frequency $\pm 20\%$	(Hz)	380
Response Frequency f_0 to	(Hz)	4K
Operating Temperature	($^{\circ}\text{C}$)	-20 ~ +55
Weight	(g)	17.2

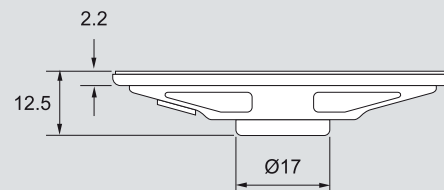


Dimensions

Bottom View



Side View



all dimensions are in mm