

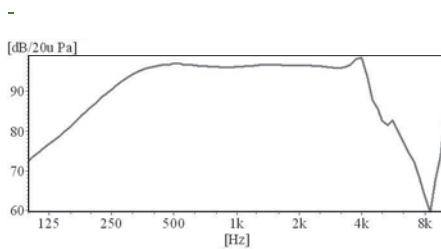
Receiver

SGBD-H38A096150



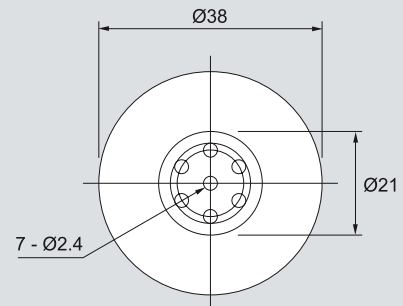
Electrical Specifications

| Model | H38A096150 | |
|---|------------|-------------|
| Sensitivity at 1K Hz (IEC318 COUPLER) | (dB) | 96 ± 3 |
| Input at 1KHz | (V) | 60 m |
| Impedance at 1 KHz | (Ω) | 150 ± 20 % |
| Frequency range | (Hz) | 300 ~ 4000 |
| Operating Temperature | (°C) | - 20 ~ + 60 |
| Weight | (g) | 36 |

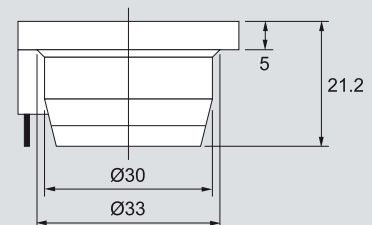


Dimensions

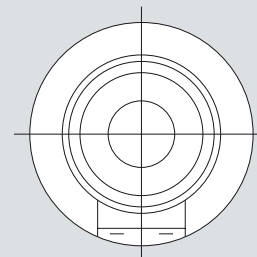
Top View



Side View



Bottom View



all dimensions are in mm