

FEATURES

- ✘ Sealed IP67
- ✘ Thru hole and SMT type
- ✘ 1 million operating life cycle

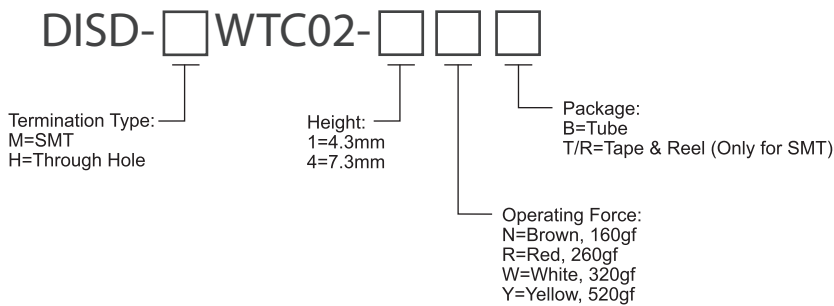
APPLICATION

- ✘ Audio, OA equipment
- ✘ Instrumentation
- ✘ Industrial

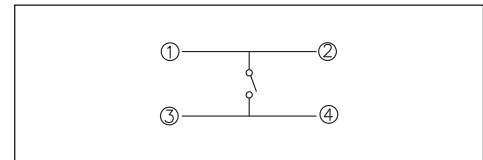
SPECIFICATION

Contact Rating	50mA, 50V DC
Contact Resistance	100mΩ max.
Insulation Resistance	100MΩ min. 250V DC
Dielectric Strength	250V AC/1 minute
Operating Force	160±50gf, Brown(N) 260±50gf, Red(R) 320±80gf, Salmon(S) 520±130gf, Yellow(Y)
Travel	0.4±0.2mm
Operating Life	500,000 cycles for 520/320gf 1,000,000 cycles for 260/160gf
Operating Temp.	-40°C ~ +85°C
Storage Temp.	-40°C ~ +85°C

HOW TO ORDER



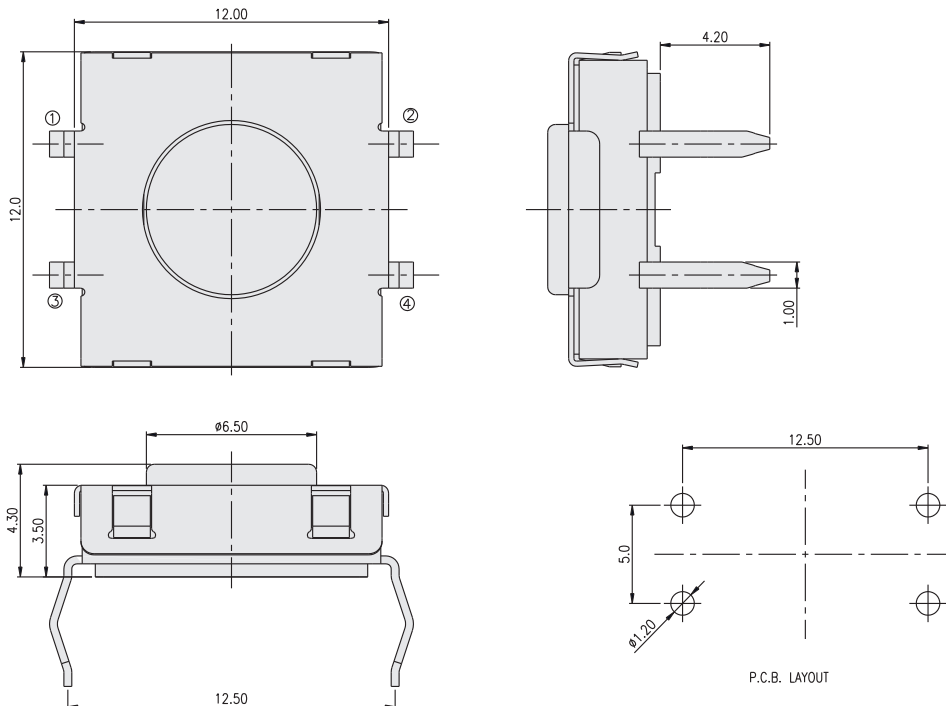
CIRCUIT



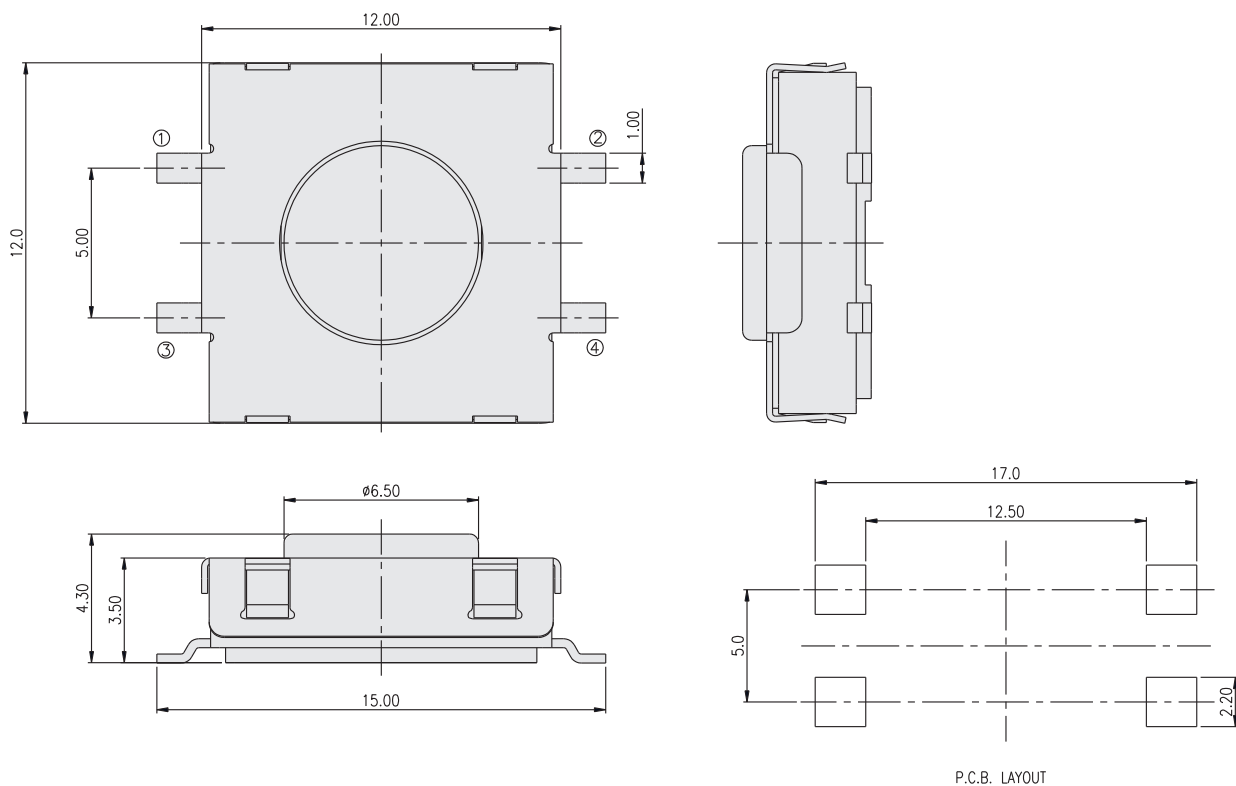
PACKAGE

- <Tube>
39 pcs
- <Tape & Reel>
DISD-MWTC02-1: 700pcs
DISD-MWTC02-4: 500pcs

DISD-HWTC02-1



DISD-MWTC02-1



DISD-MWTC02-4

