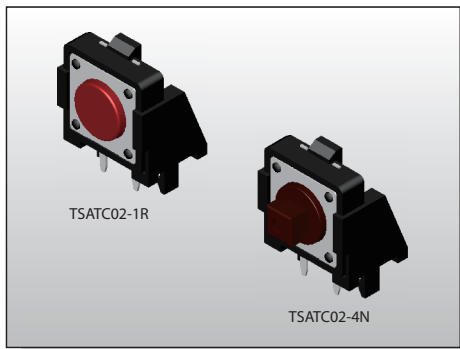


TACT SWITCH DISD-TSATC02

12x12
Right Angle Type



FEATURES

- ✘ High reliable metal contacts
- ✘ Vertical operation available
- ✘ Cap options

APPLICATION

- ✘ Audio, OA equipment
- ✘ Instrumentation
- ✘ Industrial

PACKAGE

<Tube>

DTS-2: 40 pcs

<Bag>

DTS-2: 500 pcs

DTSA-2: 250 pcs

SPECIFICATION

Contact Rating	50mA, 12V DC
Contact Resistance	100mΩ max.
Insulation Resistance	100MΩ min. 500V DC
Dielectric Strength	250V AC/1 minute
Operating Force	160±50gf, Brown(N) 260±50gf, Red(R) 320±80gf, Salmon(S) 520±130gf, Yellow(Y)
Travel	0.35±0.1mm
Operating Life	Phosphor Bronze Dome 100,000 cycles for 520/320/260gf 200,000 cycles for 160gf Stainless Steel Dome 300,000 cycles for 520/320gf 500,000 cycles for 260gf 1,000,000 cycles for 160gf
Operating Temp.	-25°C ~ +70°C
Storage Temp.	-30°C ~ +80°C

HOW TO ORDER

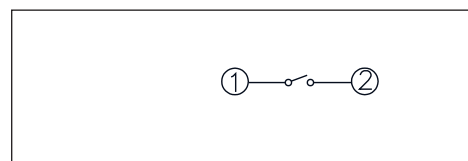
DISD-TSATC02-□ □ - □

S=Stainless Steel Dome
□=Phosphor Bronze Dome

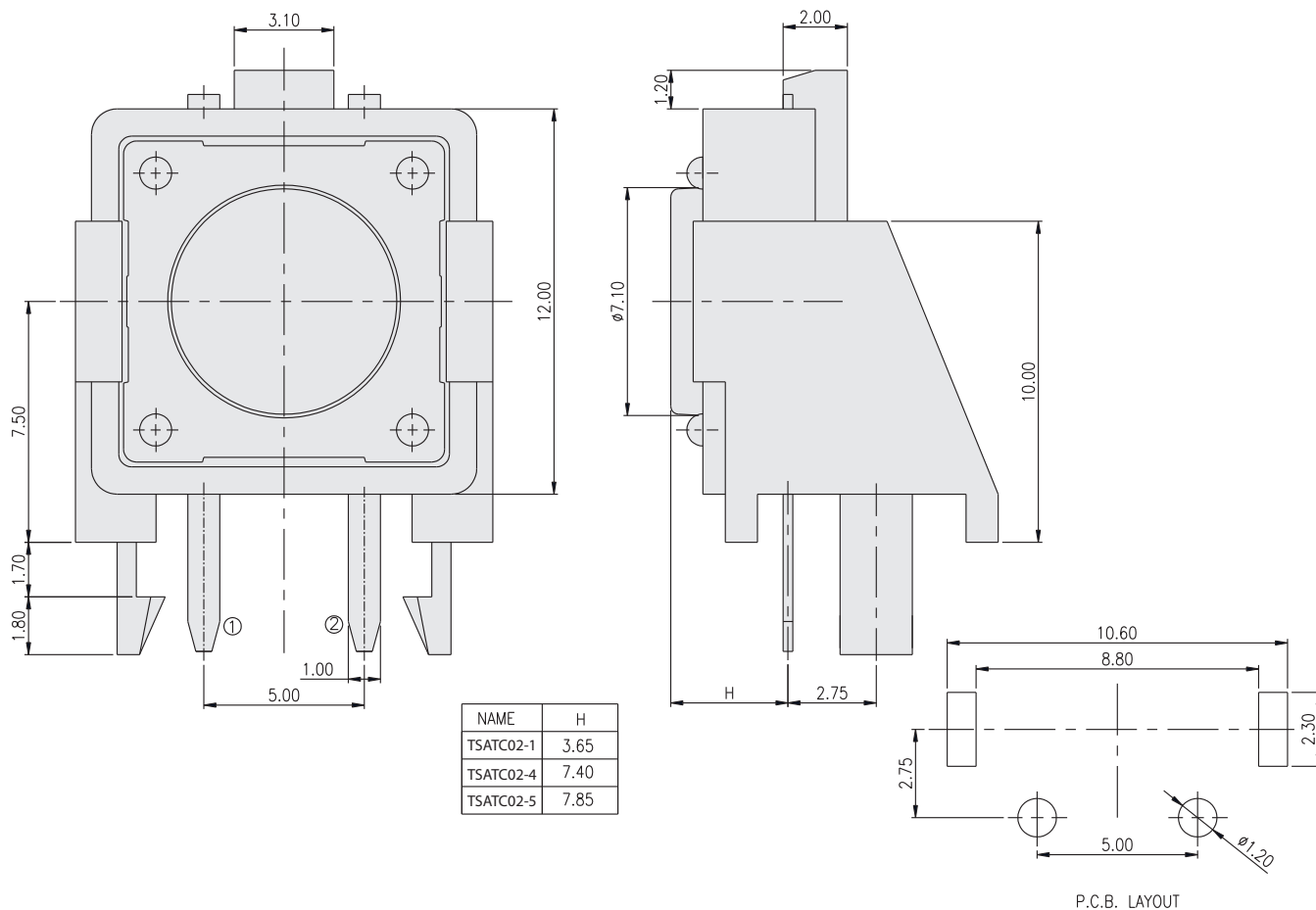
Dimension H:
1=3.65mm
4=6.65mm
5=7.85mm

Operating Force :
N=Brown, 160gf
R=Red, 260gf
S=Salmon, 320gf
Y=Yellow, 520gf

CIRCUIT



DISD-TSATC02-1



DISD-TSATC02-4

