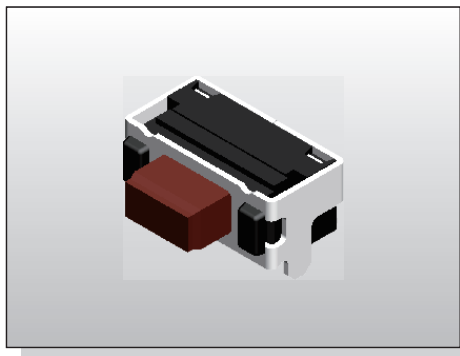


TACT SWITCH DISD-TAMTC02

1.9x4.5
Side Push Sealed Type



FEATURES

- ✘ Compact-sized 1.9x4.5mm
- ✘ Side actuated
- ✘ Sealed with dust proof structure

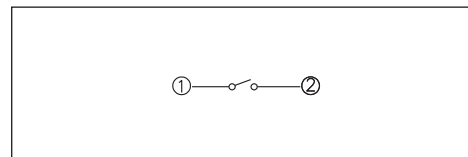
APPLICATION

- ✘ Smart Phone
- ✘ Digital Camera, Medical
- ✘ Portable Electronic Device

SPECIFICATION

Contact Rating	50mA, 12V DC
Contact Resistance	100mΩ max.
Insulation Resistance	100MΩ min. 100V DC
Dielectric Strength	250V AC/1 minute
Operating Force	180±50gf
Travel	0.20±0.1mm
Operating Life	100,000 cycles
Operating Temp.	-30°C ~ +80°C
Storage Temp.	-40°C ~ +90°C

CIRCUIT



HOW TO ORDER

DISD-TAMTC02-□-□

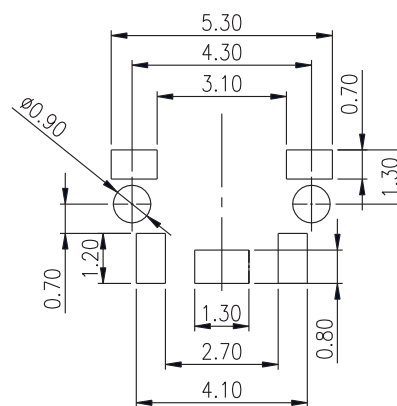
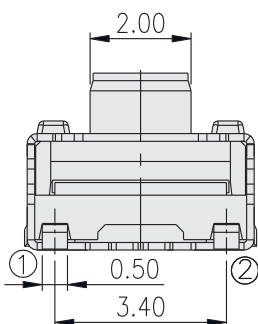
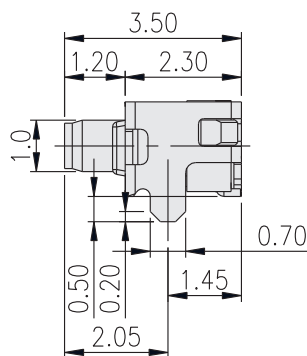
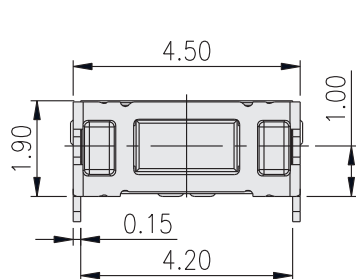
□=Without Post
C=With Post

Package:
T/R=Tape & Reel

PACKAGE

<Tape & Reel>
3000 pcs

DISD-TAMTC02



P.C.B. LAYOUT