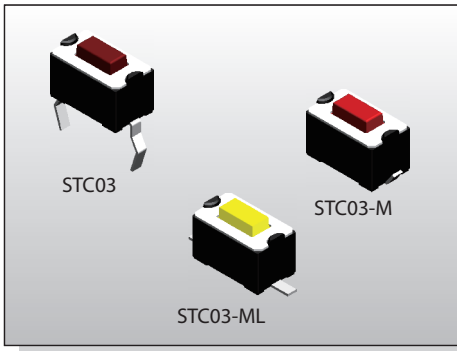


TACT SWITCH DISD-STC03

3.5x6 Through Hole & SMT Type Tactile Switch



FEATURES

- ✘ Compact size 6x3.5 mm
- ✘ Sharp click feeling
- ✘ Choice of SMT terminal type

APPLICATION

- ✘ Audio, OA equipment
- ✘ Instrumentation
- ✘ Industrial

PACKAGE

- <Tube>
135 pcs
- <Bulk>
1000 pcs
- <Tape & Reel>
STC03-M(L)-1: 1800 pcs
STC03-M(L)-2: 1600 pcs

SPECIFICATION

Contact Rating	50mA, 12V DC
Contact Resistance	100mΩ max.
Insulation Resistance	100MΩ min. 500V DC
Dielectric Strength	250V AC/1 minute
Operating Force	160±50gf, Brown(N) 260±50gf, Red(R) 320±80gf, Salmon(S) 520±130gf, Yellow(Y)
Travel	0.25+0.2/-0.1mm
Operating Life	30,000 cycles for 520/320gf 50,000 cycles for 260/160gf
Operating Temp.	-25°C ~ +70°C
Storage Temp.	-30°C ~ +80°C

HOW TO ORDER

DISD-STC03 - [] [] [] - []

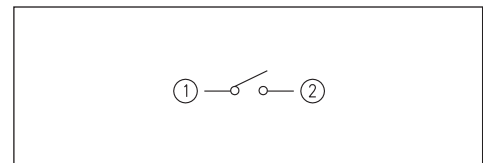
- []: Through Hole
- M: S.M.T/J-bend outward
- ML: S.M.T/Flat
- MF: S.M.T/Gull-wing

Dimension H:
1=4.3mm
2=5.0mm

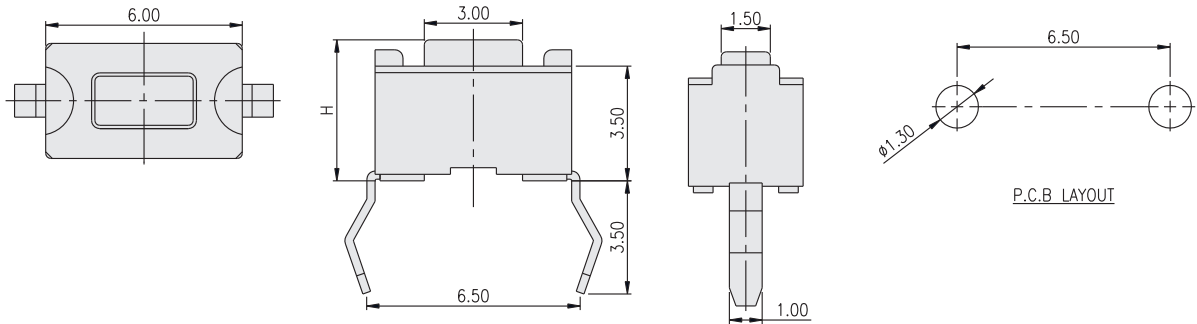
- Package:
[]=Bag(Through Hole Only)
B=Tube Package
T/R=Tape & Reel

- Operating Force:
K=Black, 125gf
N=Brown, 160gf
R=Red, 260gf
S=Salmon, 320gf
Y=Yellow, 520gf >Not Available For Halogen Free

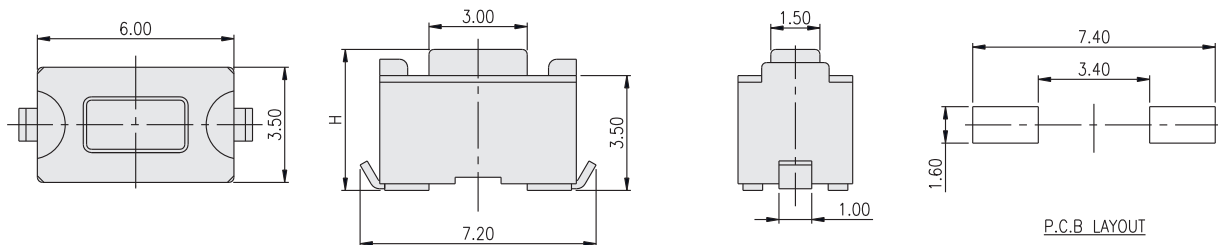
CIRCUIT



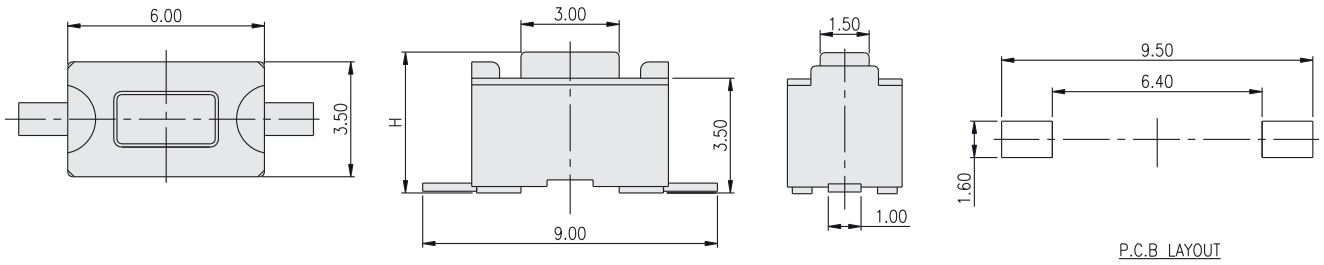
STC03



STC03-M



STC03-ML



STC03-MF

