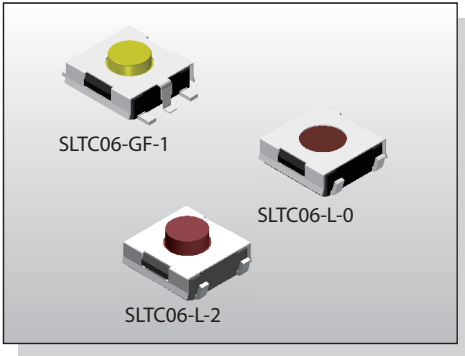


TACT SWITCH DISD-SLTC06

6x6 Thinner Type With Ground Terminal
(Pitch 4.0mm)



FEATURES

- ✘ Thinner type with 2.0-3.1mm height
- ✘ Available with ground terminal
- ✘ Reflow solderable

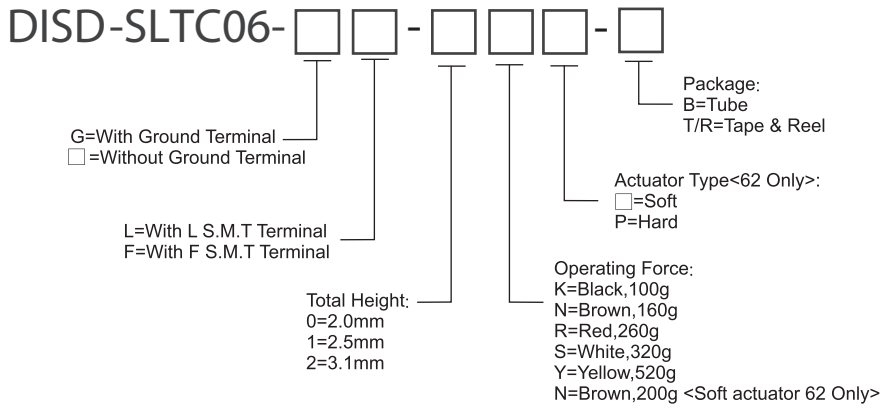
APPLICATION

- ✘ Audio, OA equipment
- ✘ Instrumentation
- ✘ White goods

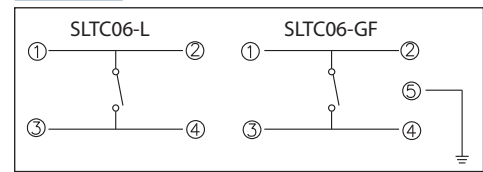
SPECIFICATION

Contact Rating	50mA, 12V DC
Contact Resistance	100mΩ max.
Insulation Resistance	100MΩ min. 500V DC
Dielectric Strength	250V AC/1 minute
Operating Force	100±50gf, Black(K) 160±50gf, Brown(N) 200±50gf, Brown(N) 62 Only 260±50gf, Red(R) 320±80gf, White(S) 520±130gf, Yellow(Y)
Travel	0.25+0.2/-0.1mm
Operating Life	300,000 cycles for 520/320gf 500,000 cycles for 260/200gf 1,000,000 cycles for 160/100gf
Operating Temp.	-25°C ~ +70°C
Storage Temp.	-30°C ~ +80°C

HOW TO ORDER



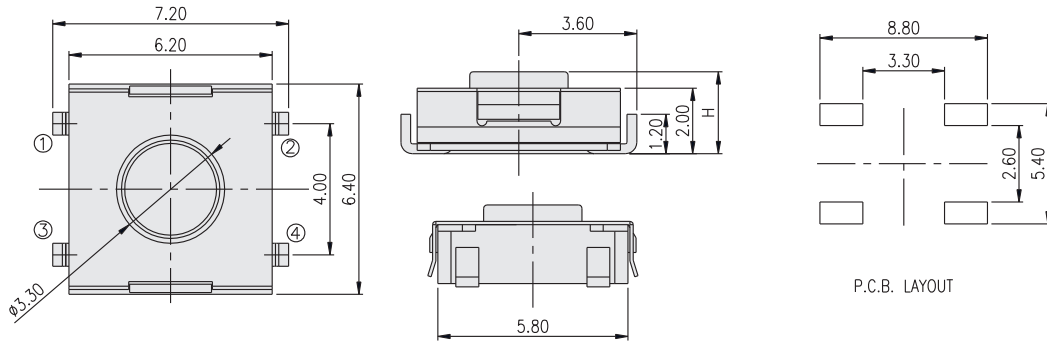
CIRCUIT



PACKAGE

- <Tube>
75 pcs
- <Tape & Reel>
SLTC-(G)F-0□-T/R, SLTC-F-1□-T/R: 3000pcs
SLTC-(G)L-0□-T/R, SLTC-(G)L-1□-T/R: 2700pcs
SLTC-(G)L-2□-T/R, SLTC-(G)F-2□-T/R: 2500pcs
SLTC-GF-1□-T/R: 2500pcs

SLTC06-L



SLTC06-GF

