

FEATURES

- ✘ Variety of actuator lengths
- ✘ Optional ground pin
- ✘ Cap options

APPLICATION

- ✘ Audio, OA equipment
- ✘ Instrumentation
- ✘ Setup Box

SPECIFICATION

Contact Rating	50mA, 12V DC
Contact Resistance	100mΩ max.
Insulation Resistance	100MΩ min. 500V DC
Dielectric Strength	250V AC/1 minute
Operating Force	100±50gf, Black(K) 160±50gf, Brown(N) 260±50gf, Red(R) 320±80gf, Salmon(S) 520±130gf, Yellow(Y)
Travel	0.25+0.2/-0.1mm
Operating Life	Phosphor Bronze Dome 50,000 cycles for 520/320gf 100,000 cycles for 260gf 200,000 cycles for 160/100
	Stainless Steel Dome 300,000 cycles for 520/320gf 500,000 cycles for 260gf 1,000,000 cycles for 160/100gf
Operating Temp.	-25°C ~ +70°C
Storage Temp.	-30°C ~ +80°C

HOW TO ORDER

DISD-SAR □ 06 - □ □ □ - □

A=Right Angle
AM=Right Angle & SMT
AG=Right Angle & Ground Terminal
AMG=SMT & Ground Terminal

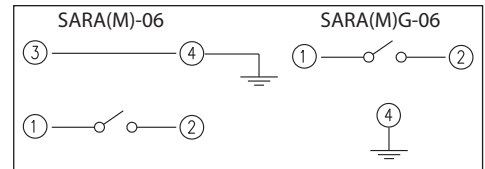
Package :
T/R=Tape & Reel

□=Phosphor Bronze Dome
S=Stainless Steel Dome

Dimension H:
*Please Refer To Drawing Below.

Operating Force :
K=Black, 100gf
N=Brown, 160gf
R=Red, 260gf
S=Salmon, 320gf
Y=Yellow, 520gf

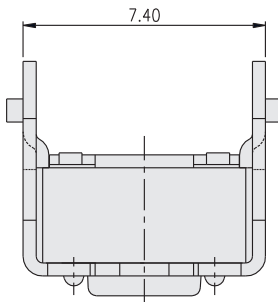
CIRCUIT



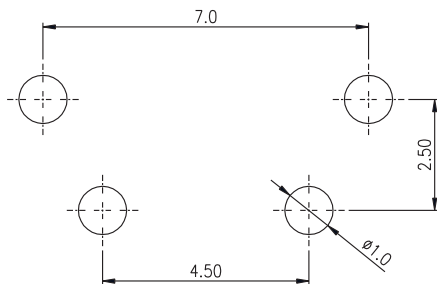
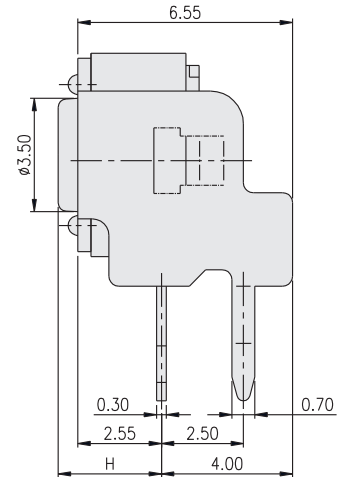
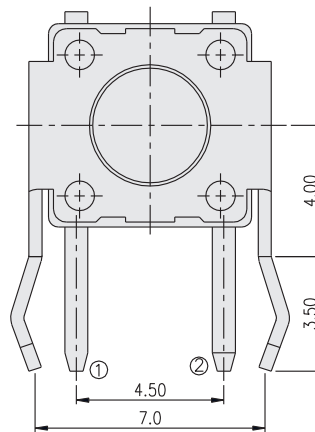
PACKAGE

- <Bag>
SARA(G)-06: 500pcs.
- <Tape & Reel>
SARAMG-06-(3/4/5): 380 pcs.
SARAMG-06-(1/2): 400 pcs.
SARAM-06-(1/2/3): 500 pcs.

SARA-06

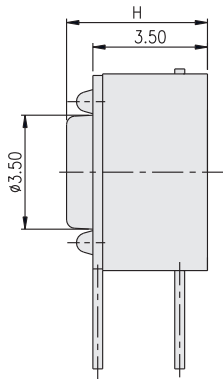
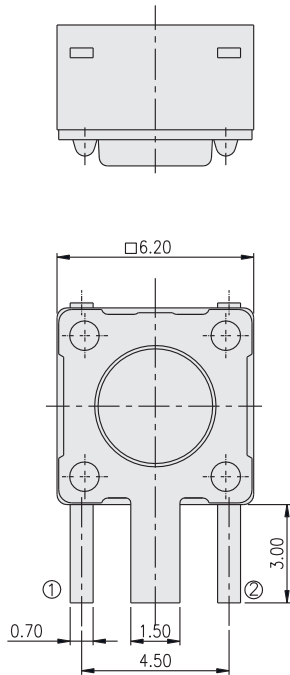


NAME	H
A-06-1	3.15
A-06-2	3.85
A-06-3	5.85
A-06-44	6.15
A-06-48	6.15
A-06-65	8.35
A-06-66	11.85

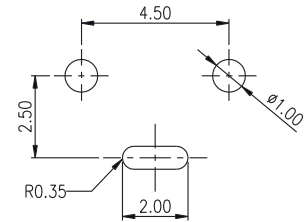


P.C.B. LAYOUT

SARAG-06

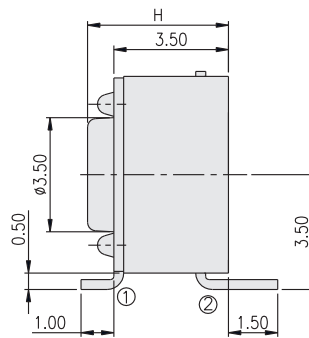
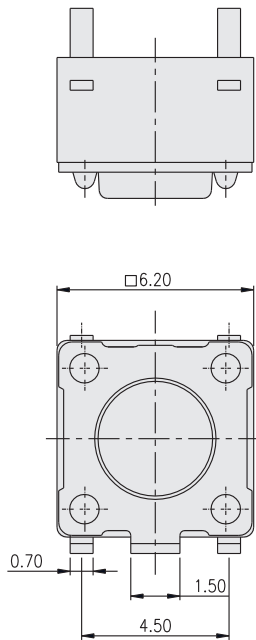


NAME	H
SARAG-06-01	4.30
SARAG-06-02	5.0
SARAG-06-03	7.0
SARAG-06-44	7.30
SARAG-06-48	7.30
SARAG-06-5	9.50
SARAG-06-6	13.0

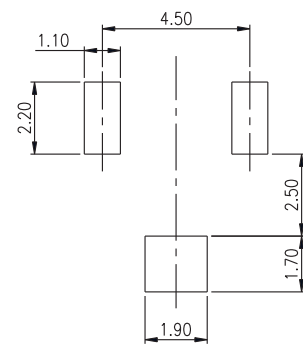


P.C.B. LAYOUT

SARAMG-06

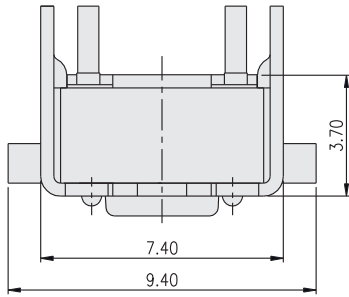


NAME	H
SARAMG-06-1	4.30
SARAMG-06-2	5.0
SARAMG-06-3	7.0
SARAMG-06-44	7.30
SARAMG-06-48	7.30
SARAMG-06-5	9.50
SARAMG-06-6	13.0



P.C.B. LAYOUT

SARAM-06



NAME	H
SARAM-06-1	3.60
SARAM-06-2	4.30
SARAM-06-3	6.30
SARAM-06-44	7.30
SARAM-06-48	7.30
SARAM-06-65	8.80

