

MT4DS05

FEATURES

- ✘ 7.4x7.7mm
- ✘ Variety of height options
- ✘ Reflow solderable

APPLICATION

- ✘ Medical device
- ✘ Consumer electronics
- ✘ Security device

PACKAGE

<Tape & Reel>
850 pcs

SPECIFICATION

Contact Rating	50mA, 12V DC
Contact Resistance	100mΩ max.
Insulation Resistance	100MΩ min. 100V DC
Dielectric Strength	250V AC/1 minute
Operating Force	160gf, 4-direction 360gf, Center push
Travel	5°+2.5°/-1.5°, 4-direction 0.25+0.1/-0.2mm, Center push
Operating Life	100,000 cycles
Operating Temp.	-25°C ~ +70°C
Storage Temp.	-40°C ~ +85°C

HOW TO ORDER

DISD-MT4DS0 - - -

5=5 Directions
4=4 Directions

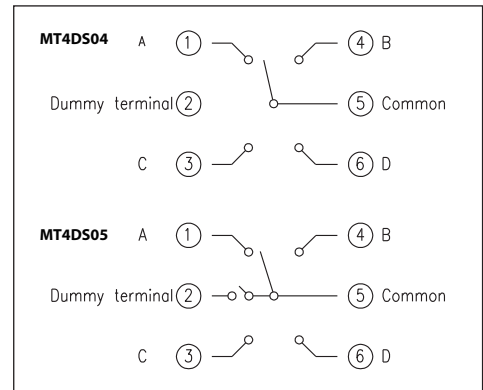
Package :
T/R=Tape & Reel

Stem High:

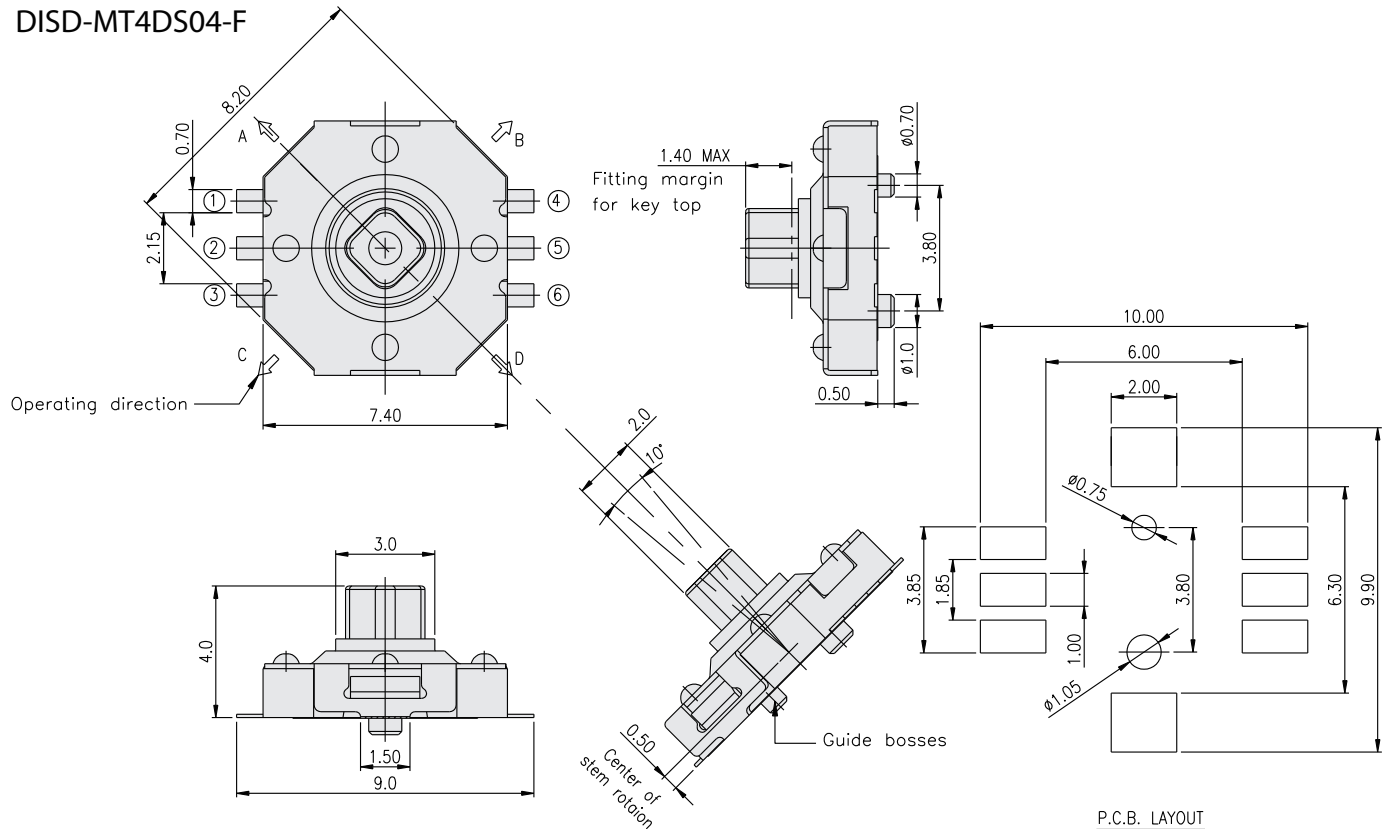
MT4DS05	MT4DS04
<input type="checkbox"/> =4.5mm	<input type="checkbox"/> =4.0mm
1=5.0mm	
2=4.0mm	
3=6.4mm	

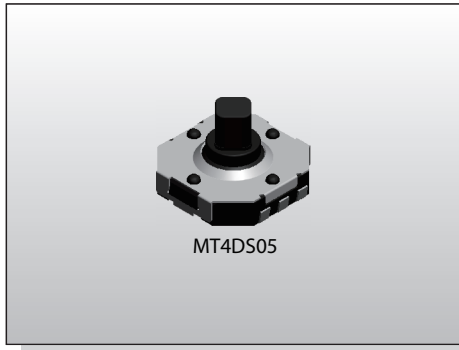
L=With L.S.M.T. Terminal
F=With F.S.M.T. Terminal

CIRCUIT



DISD-MT4DS04-F





MT4DS05

FEATURES

- ※7.4x7.7mm
- ※Variety of height options
- ※Reflow solderable

APPLICATION

- ※Medical device
- ※Consumer electronics
- ※Security device

PACKAGE

<Tape & Reel>
850 pcs

SPECIFICATION

Contact Rating	50mA, 12V DC
Contact Resistance	100mΩ max.
Insulation Resistance	100MΩ min. 100V DC
Dielectric Strength	250V AC/1 minute
Operating Force	160gf, 4-direction 360gf, Center push
Travel	5°+2.5°/-1.5°, 4-direction 0.25+0.1/-0.2mm, Center push
Operating Life	100,000 cycles
Operating Temp.	-25°C ~ +70°C
Storage Temp.	-40°C ~ +85°C

HOW TO ORDER

DISD-MT4DS0 [] - [] - [] - []

5=5 Directions
4=4 Directions

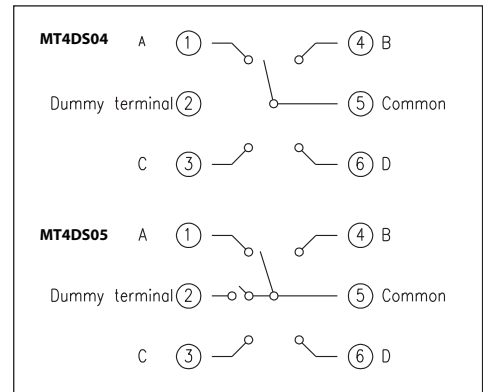
Package :
T/R=Tape & Reel

Stem High:

MT4DS05	MT4DS04
[]=4.5mm	[]=4.0mm
1=5.0mm	
2=4.0mm	
3=6.4mm	

L=With L.S.M.T. Terminal
F=With F.S.M.T. Terminal

CIRCUIT



DISD-MT4DS05-L

