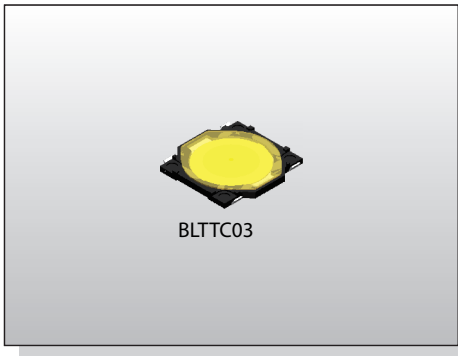


# TACT SWITCH DISD-BLTTTC03

3.7x3.7 J Terminal SMT Type  
(H: 0.35mm)



## FEATURES

- ✘ Compact-sized 3.7x3.7mm
- ✘ Low profile of 0.35mm height
- ✘ 500,000 life cycles operating

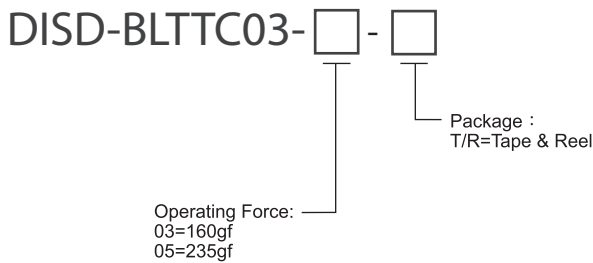
## APPLICATION

- ✘ Smart Phone
- ✘ Digital Camera, Medical
- ✘ Portable Electronic Device

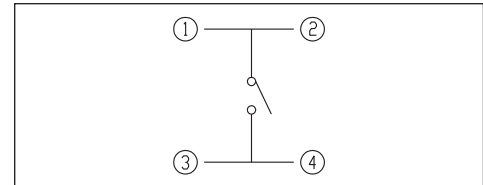
## SPECIFICATION

Contact Rating	50mA, 12V DC
Contact Resistance	100mΩ max.
Insulation Resistance	100MΩ min. 100V DC
Dielectric Strength	100V AC/1 minute
Operating Force	160±50gf/235±60gf
Travel	0.15±0.1mm
Operating Life	50,000 cycles for 235gf 500,000 cycles for 160gf
Operating Temp.	-40°C ~ +85°C
Storage Temp.	-40°C ~ +85°C

## HOW TO ORDER



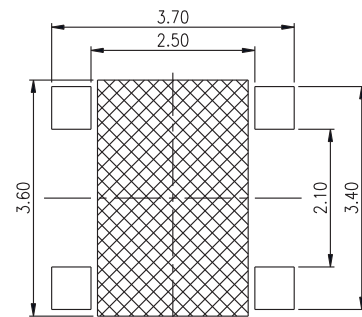
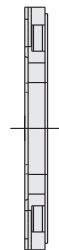
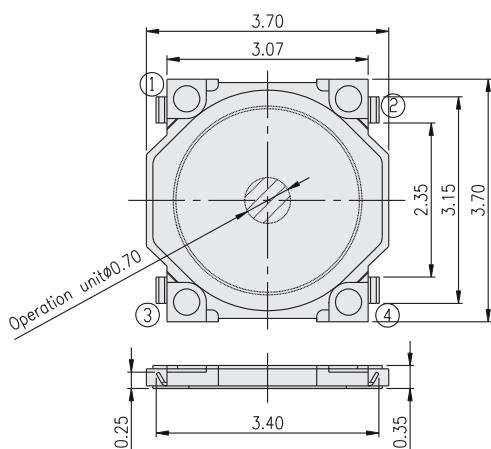
## CIRCUIT



## PACKAGE

<Tape & Reel>  
8000 pcs

TACT SWITCH



## P.C.B. LAYOUT

Any land pattern or vias shall not be provided at 2.30x3.60 area.