

FEATURES

- ✘ Side actuated
- ✘ Support/Ground pin option
- ✘ High solder strength

APPLICATION

- ✘ Data storage, Server
- ✘ Instrumentation
- ✘ Audio, OA equipment

SPECIFICATION

Contact Rating	50mA, 12V DC	
Contact Resistance	100mΩ max.	
Insulation Resistance	100MΩ min. 500V DC	
Dielectric Strength	250V AC/1 minute	
Operating Force	160±50gf, 260±50gf	ACTC-03
	160±50gf, White(W)	ACTC-2-03
	160±50gf, Brown(N) 320±50gf, Salmon(S)	
Travel	0.25+0.1/-0.2mm	
Operating Life	20,000 cycles for 260gf	ACTC-03
	50,000 cycles for 160gf	ACTC-2-03
	30,000 cycles for 320gf 100,000 cycles for 160gf	
Operating Temp.	-25°C ~ +70°C	
Storage Temp.	-40°C ~ +80°C	

HOW TO ORDER

DISD-ACTC--03 -

=With Support Terminal
N=Without Support Terminal
(*TA2-3 Only)

2=Side Ground Terminal
C=Front Ground Terminal

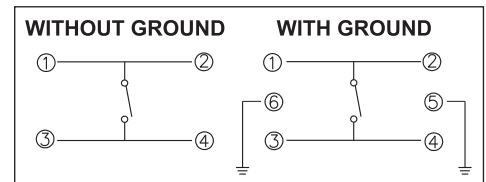
=SMT
H=Through Hold Type (TAC-3 Only)

Package :
T/R=Tape & Reel
=Bag (TACH-3 Only)

Operating Force:
W=White, 160gf
N=Brown, 160gf
N/K=Black, 160gf (TAC-35 Only)
S=Salmon, 320gf

Height:
1=0.7 mm
2=1.4 mm
5=5.0 mm

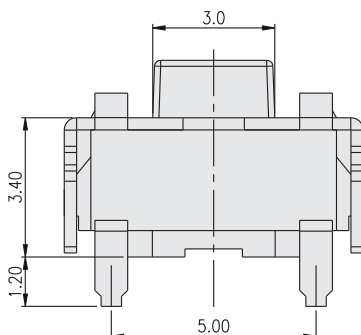
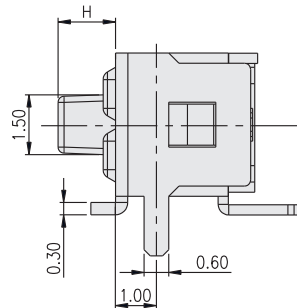
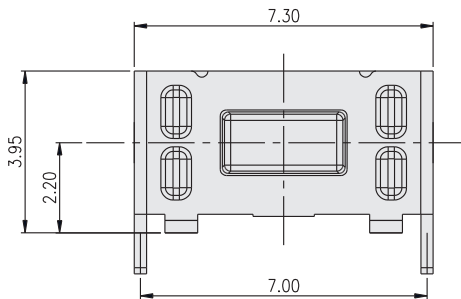
CIRCUIT



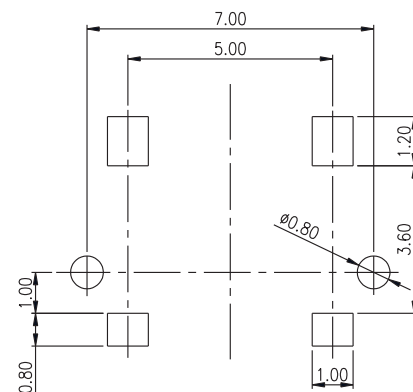
PACKAGE

<Bag>
500 pcs
<Tape & Reel>
900 pcs

DISD-ACTC-03

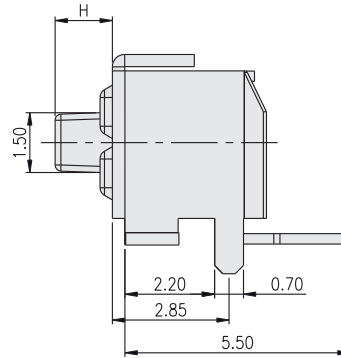
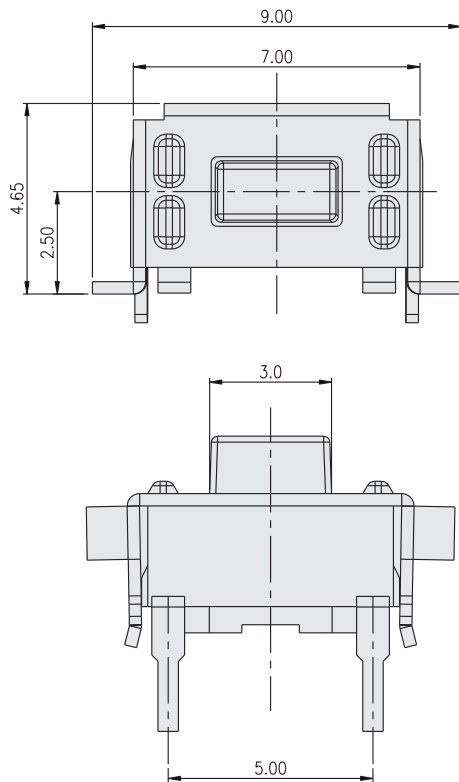


NAME	H
ACTC-031	0.70
ACTC-032	1.40
ACTC-035	5.0

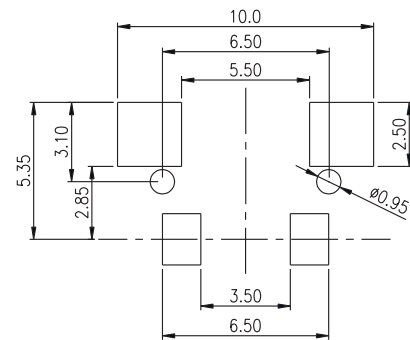


P.C.B. LAYOUT

ACTC-2-03

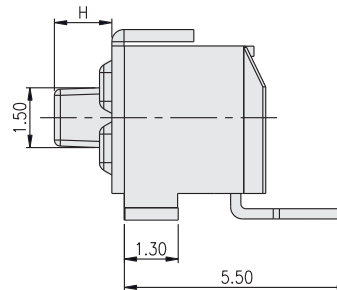
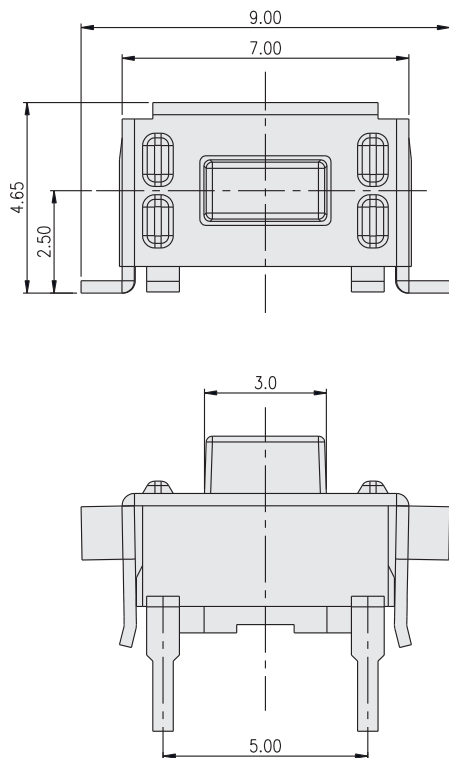


NAME	H
ACTC-2-031	0.70
ACTC-2-032	1.40
ACTC-2-035	5.0

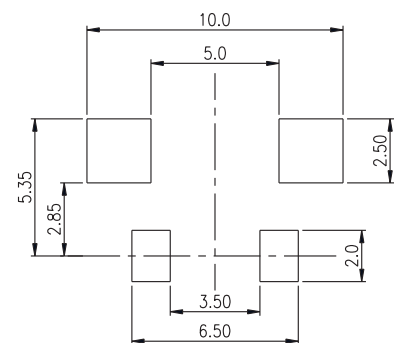


P.C.B. LAYOUT

ACTC-N2-03

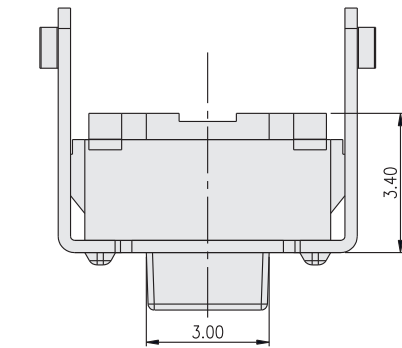


NAME	H
ACTC-N2-031	0.70
ACTC-N2-032	1.40
ACTC-N2-035	5.0

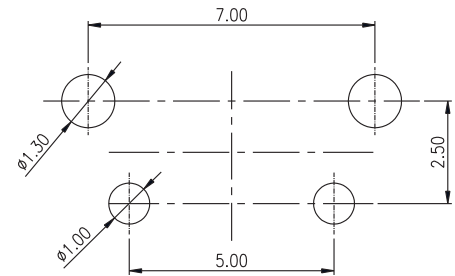
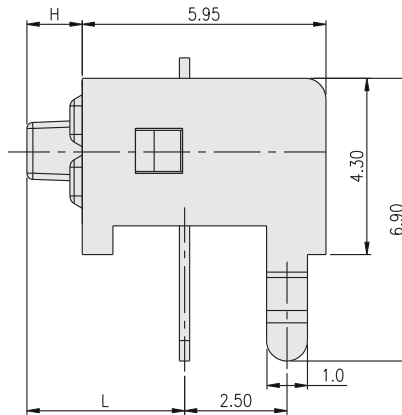
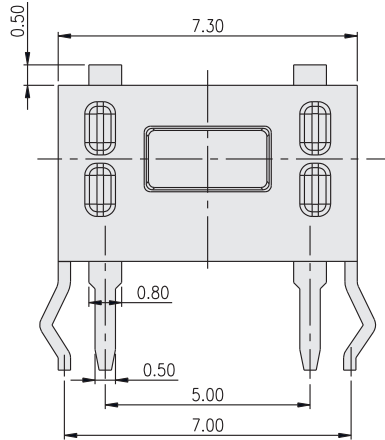


P.C.B. LAYOUT

ACTC-CH-03



NAME	H	L
ACTC-CH-031	0.70	3.15
ACTC-CH-032	1.40	3.85
ACTC-CH-035	5.0	7.45



P.C.B. LAYOUT