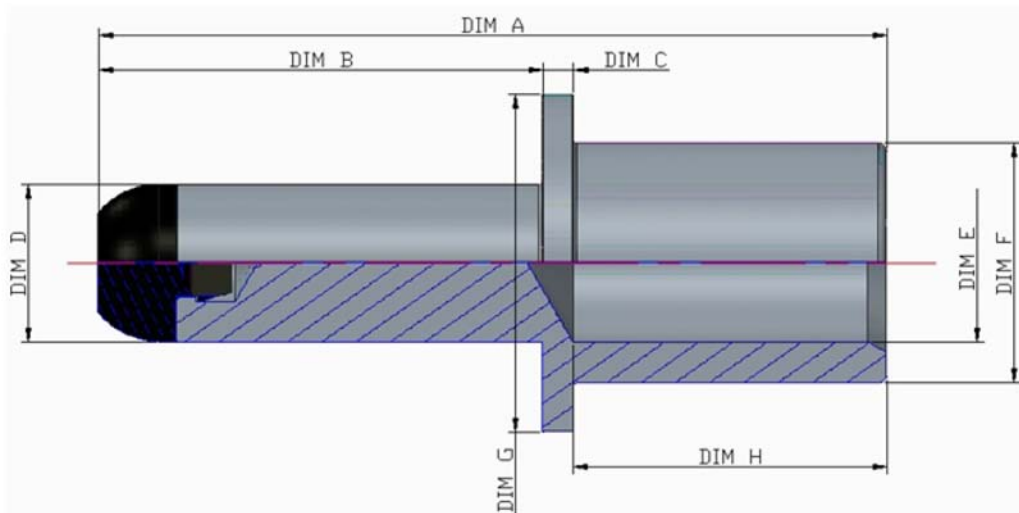


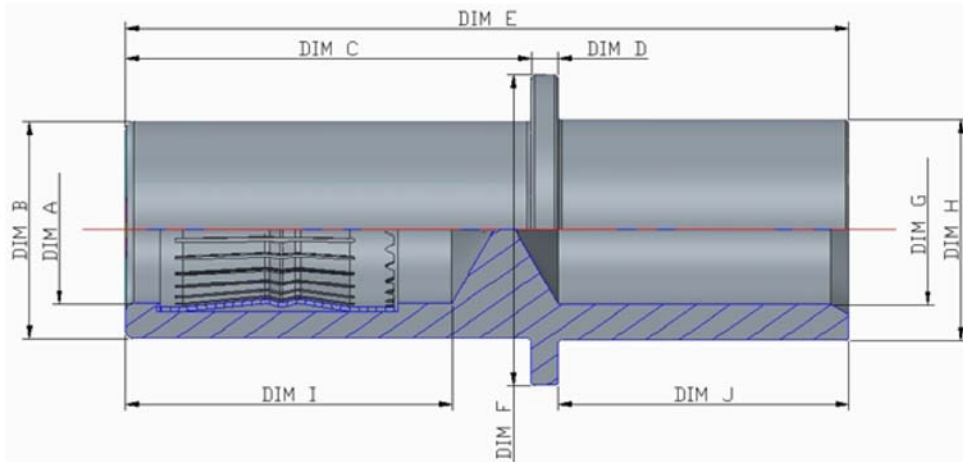
2.1 Standard Series - GB Type

2.1.1 GB Plug Type



Ordercode	Dimension (mm)								Mechanical Data		Electrical Specification		Usage
	A	B	C	ΦD	ΦE	ΦF	ΦG	H	Force (N)	Durability (Cycles)	Rated Current (A)	Contact Resistance (μΩ)	
3mm Plug - without insulating Cap													
SVPC-MCSC-0099-030	25.5	16.5	1.0	3.0	1.2	2.2	6.8	7.0	4	10.000	15.0	800.0	GB/T 20234.2/3
SVPC-MCSC-0099-030	23.5	14.5											
6mm Plug / (-i) = with insulating Cap													
SVPC MCSC-0100-060-i	37.5	28.5	1.0	6.0	2.2	3.2	9.8	8.0	10	10.000	30.0	300.0	GB/T 20234.2/3
SVPC-MCSC-0100-060					3.3	5.3							
SVPC-MCSC-0100-060-i													
SVPC-MCSC-0100-060													
12 mm Plug - without insulating Cap													
SVPC-MCSC-0112-120	48.0	30.5	1.5	12.0	8.4	12.2	17.2	18.0	15	10.000	250.0	100.0	GB/T 20234.3

2.1.2. GB Socket type



Ordercode	Dimension (mm)										Mechanical Data		Electrical Specification		Usage
	ΦA	ΦB	C	D	E	ΦF	ΦG	ΦH	I	J	Force (N)	Durability (Cycles)	Rated Current (A)	Contact Resistance (μΩ)	
3mm Socket - without insulating Cap															
SVPC-MCSC-0102-030	3.1	7.0	32.0	1.0	41.0	8.3	1.2	2.2	22.0	7.0	4	10.000	15.0	800.0	GB/T 20234.2
SVPC-MCSC-0102-030		42.0	51.0		33.0	GB/T 20234.3									
SVPC-MCSC-0102-030		5.8	32.0		41.0	7.3	23.0	GB/T 20234.2							
SVPC-MCSC-0102-030		32.0	41.0		2.3	3.2	8.0	GB/T 20234.2							
6mm Socket / (-i) = with insulating Cap															
SVPC-FCSC-0103-060	6.1	10.0	32.0	1.0	41.0	11.3	2.3	3.2	23.0	8.0	10	10.000	30.0	300.0	GB/T 20234.2
SVPC-FCSC-0103-060		9.8	42.0		51.0	13.0	5.6	9.0	33.0	12.0					GB/T 20234.3
SVPC-FCSC-0103-060		10.0	32.0		46.0	11.3	3.0	5.3	23.0	8.0					GB/T 20234.2
SVPC-FCSC-0103-060		41.0	1.2		2.2	GB/T 20234.2									
12 mm Socket - without insulating Cap															
SVPC-FCSC-0105-120	12.1	15.8	42.0	1.0	83.0	18.0	8	12.0	33.0	25.0	15	10.000	250.0	100	GB/T 20234.3