

# NDT011 Series

## Features

- Wide product variety.
- Soldering wire.
- Light operating force.



Rating (max)	DC5V 1mA.
Contact Resistance	500mΩ max.
Insulation Resistance	DC500V-100MΩ min.
Withstand Voltage	AC300V - 1 minute
Operating Force	40gf max. on position

### Recommended Wiring Soldering Profile

	Temperature	Time
Manual Soldering Temperature	350 °C (max.)	3 Sec. (max.)

Durability 100,000 cycles

Lead Free HF RoHS

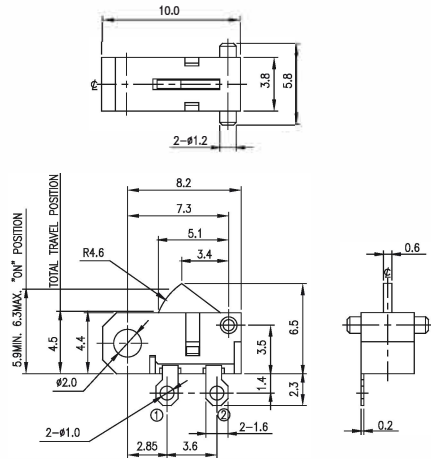
## Soldering Wire - W Type 10.0L x 3.8W x 6.5H

Product No.	Color(Actuator)	Package
NDT011-W1A-AAAB	Black	Bulk
NDT011-W1A-AABB	White	

### Schematic



### Outline Drawing

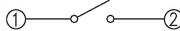


General Tolerance : ±0.2mm.

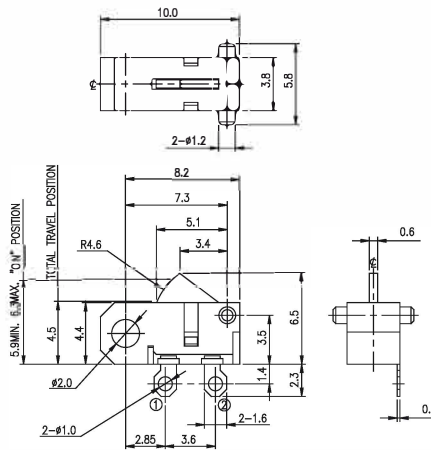
## Soldering Wire - W Type 10.0L x 3.8W x 6.5H

Product No.	Color(Actuator)	Package
NDT011-W1A-AAAB-A	Black	Bulk
NDT011-W1A-AABB-A	White	

### Schematic



### Outline Drawing

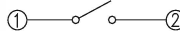


General Tolerance : ±0.2mm.

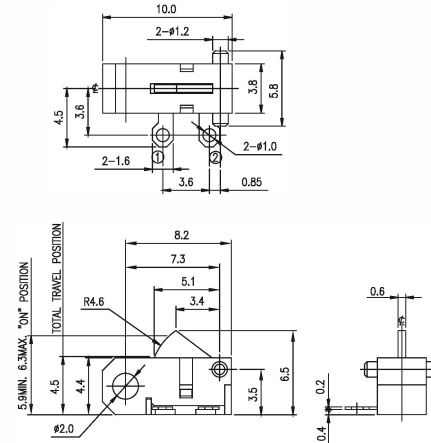
## Soldering Wire - W Type 10.0L x 3.8W x 6.5H

Product No.	Color(Actuator)	Package
NDT011-W1A-AAAB-B	Black	Bulk
NDT011-W1A-AABB-B	White	

### Schematic



### Outline Drawing



General Tolerance : ±0.2mm.

# NDT011 Series

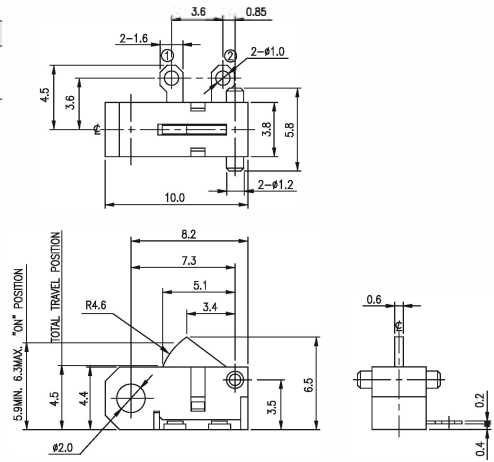
■ Soldering Wire - W Type 10.0L x 3.8W x 6.5H

Product No.	Color(Actuator)	Package
NDT011-W1A-AAAB-C	Black	Bulk
NDT011-W1A-AABB-C	White	

Schematic



■ Outline Drawing

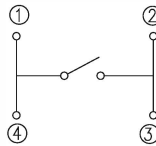


General Tolerance : ±0.2mm.

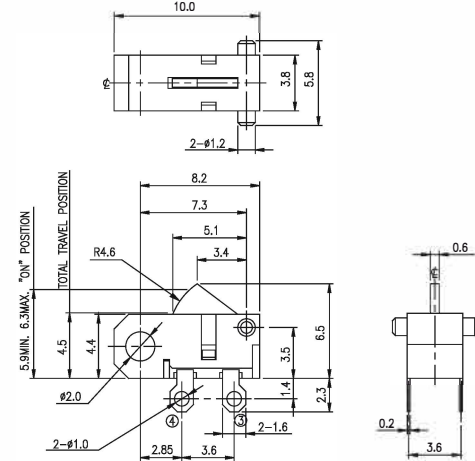
■ Soldering Wire - W Type 10.0L x 3.8W x 6.5H

Product No.	Color(Actuator)	Package
NDT011-W1A-AAAB-D	Black	Bulk
NDT011-W1A-AABB-D	White	

Schematic



■ Outline Drawing

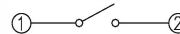


General Tolerance : ±0.2mm.

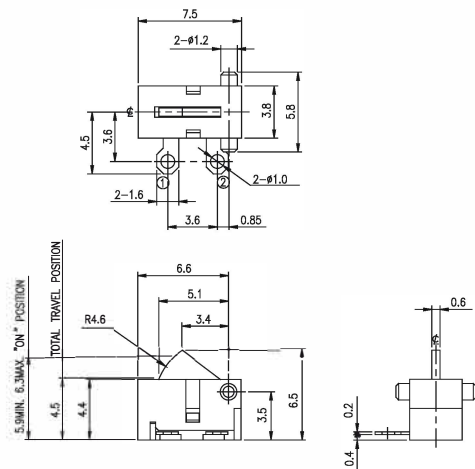
■ Soldering Wire - W Type 7.5L x 3.8W x 6.5H

Product No.	Color(Actuator)	Package
NDT011-W1A-BAAB	Black	Bulk
NDT011-W1A-BABB	White	

Schematic



■ Outline Drawing



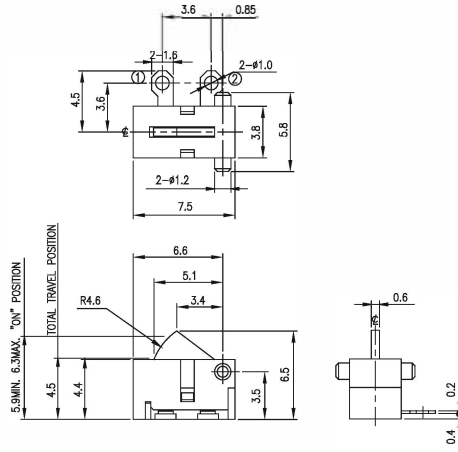
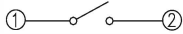
General Tolerance : ±0.2mm.

■ Soldering Wire - W Type 7.5L x 3.8W x 6.5H

■ Outline Drawing

Product No.	Color(Actuator)	Package
NDT011-W1A-BAAB-A	Black	Bulk
NDT011-W1A-BABB-A	White	

Schematic



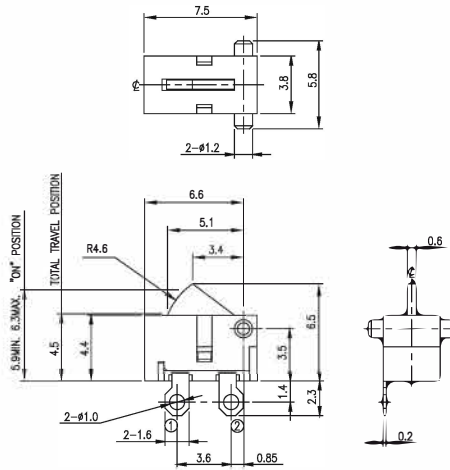
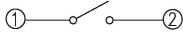
General Tolerance : ±0.2mm.

■ Soldering Wire - W Type 7.5L x 3.8W x 6.5H

■ Outline Drawing

Product No.	Color(Actuator)	Package
NDT011-W1A-BAAB-B	Black	Bulk
NDT011-W1A-BABB-B	White	

Schematic



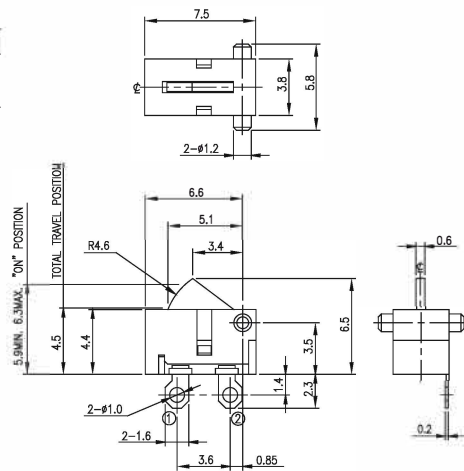
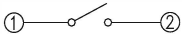
General Tolerance : ±0.2mm.

■ Soldering Wire - W Type 7.5L x 3.8W x 6.5H

■ Outline Drawing

Product No.	Color(Actuator)	Package
NDT011-W1A-BAAB-C	Black	Bulk
NDT011-W1A-BABB-C	White	

Schematic



General Tolerance : ±0.2mm.

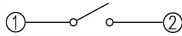
# NDT011 Series

■ Lead Free ■ HF ■ RoHS

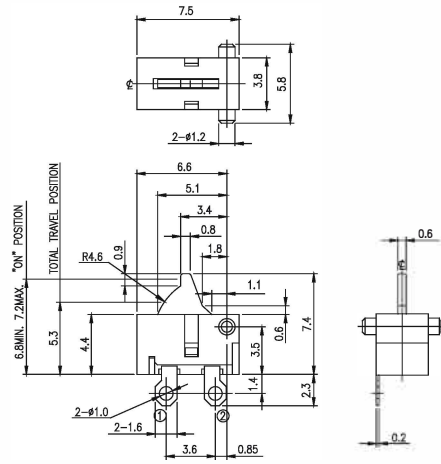
■ Soldering Wire - W Type 7.5L x 3.8W x 7.4H

Product No.	Color(Actuator)	Package
NDT011-W1A-BACB	Black	Bulk
NDT011-W1A-BADB	White	

Schematic



■ Outline Drawing

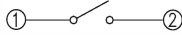


General Tolerance : ±0.2mm.

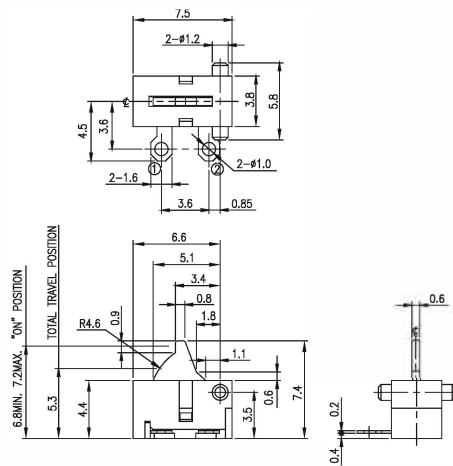
■ Soldering Wire - W Type 7.5L x 3.8W x 7.4H

Product No.	Color(Actuator)	Package
NDT011-W1A-BACB-A	Black	Bulk
NDT011-W1A-BADB-A	White	

Schematic



■ Outline Drawing



General Tolerance : ±0.2mm.

